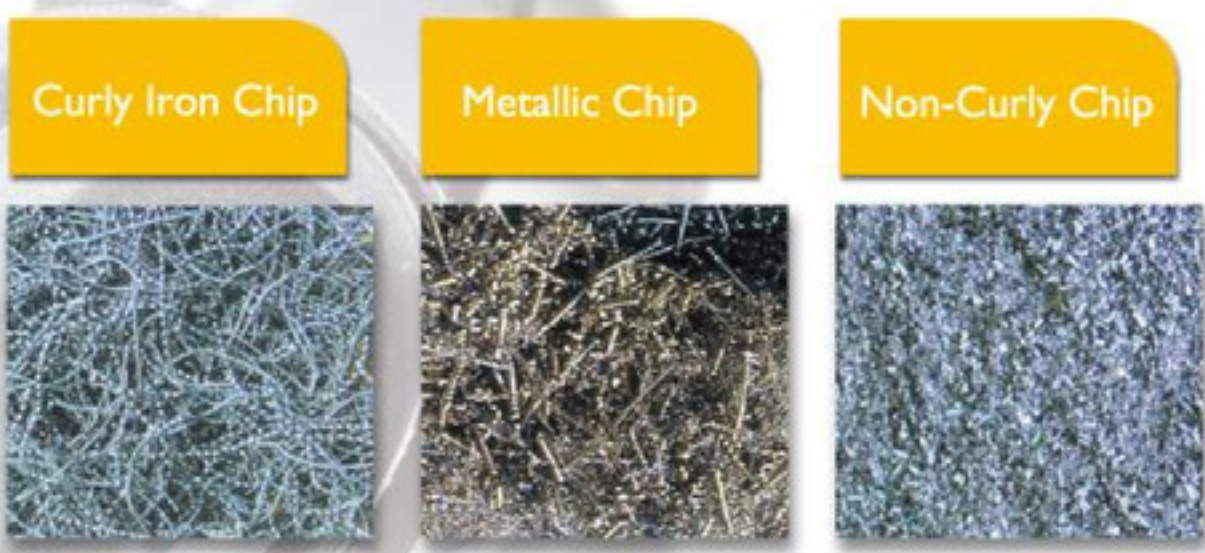


○ How to select a su



Steelbelt Chip Conveyor / Standard Model

Scraper Type Chip Conveyor / Standard Model
(Suitable for dry chips under 60mm)

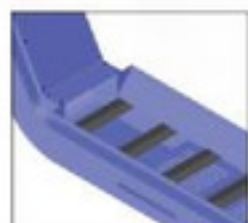
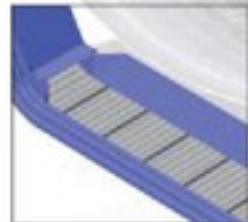
Scraper Type Chip Conveyor / Precision Model
(Suitable for chips between 2~60mm)

Scraper Type Chip Conveyor / Magnetic Model
(Suitable for chips between 2~60mm)

Scraper Type Chip Conveyor / Precision Magnetic Model
(Suitable for chips between 2~60mm)

Roller Type Tiny Chip Conveyor
(Internal / External)
(Suitable for chips under 100mm)

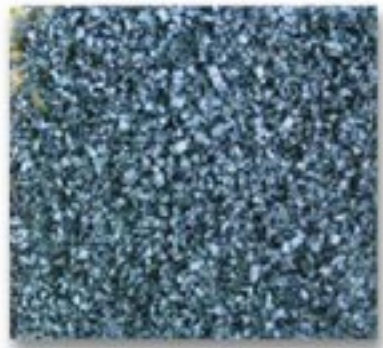
Dual Belt Type Chip Conveyor



	Curly Iron Chip	Metallic Chip	Non-Curly Chip
Steelbelt Chip Conveyor / Standard Model	○	○	○
Scraper Type Chip Conveyor / Standard Model	○	○	○
Scraper Type Chip Conveyor / Precision Model	○	○	○
Scraper Type Chip Conveyor / Magnetic Model	○	○	○
Scraper Type Chip Conveyor / Precision Magnetic Model	○	○	○
Roller Type Tiny Chip Conveyor	○	○	○
Dual Belt Type Chip Conveyor	○	○	○

Adjustable conveyor according to different types of chips

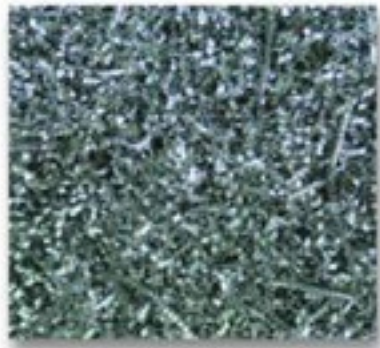
Foundry Chip



Curly Aluminum Chip



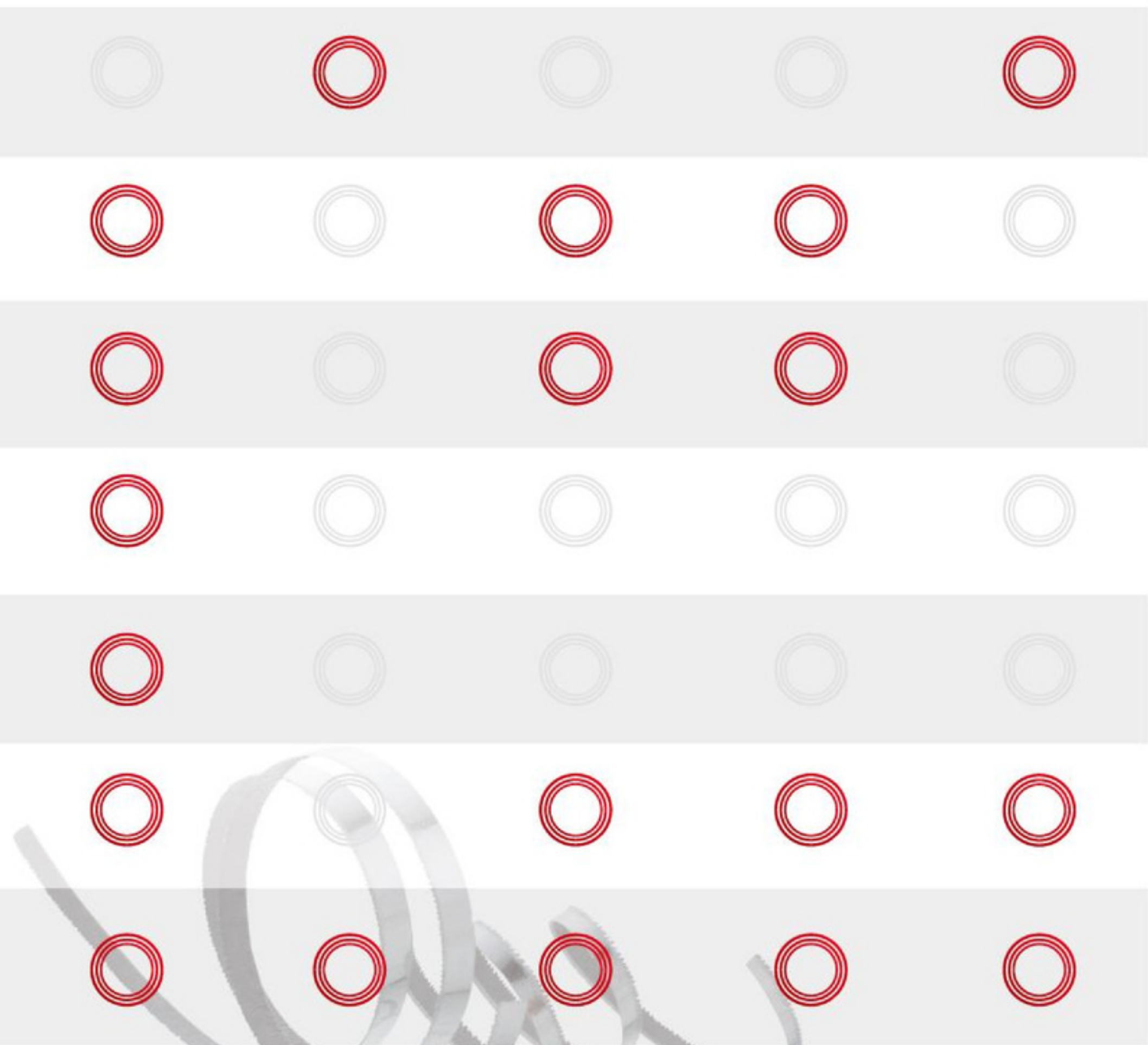
Aluminum chip



Brass Chip



Non-Metallic Chip



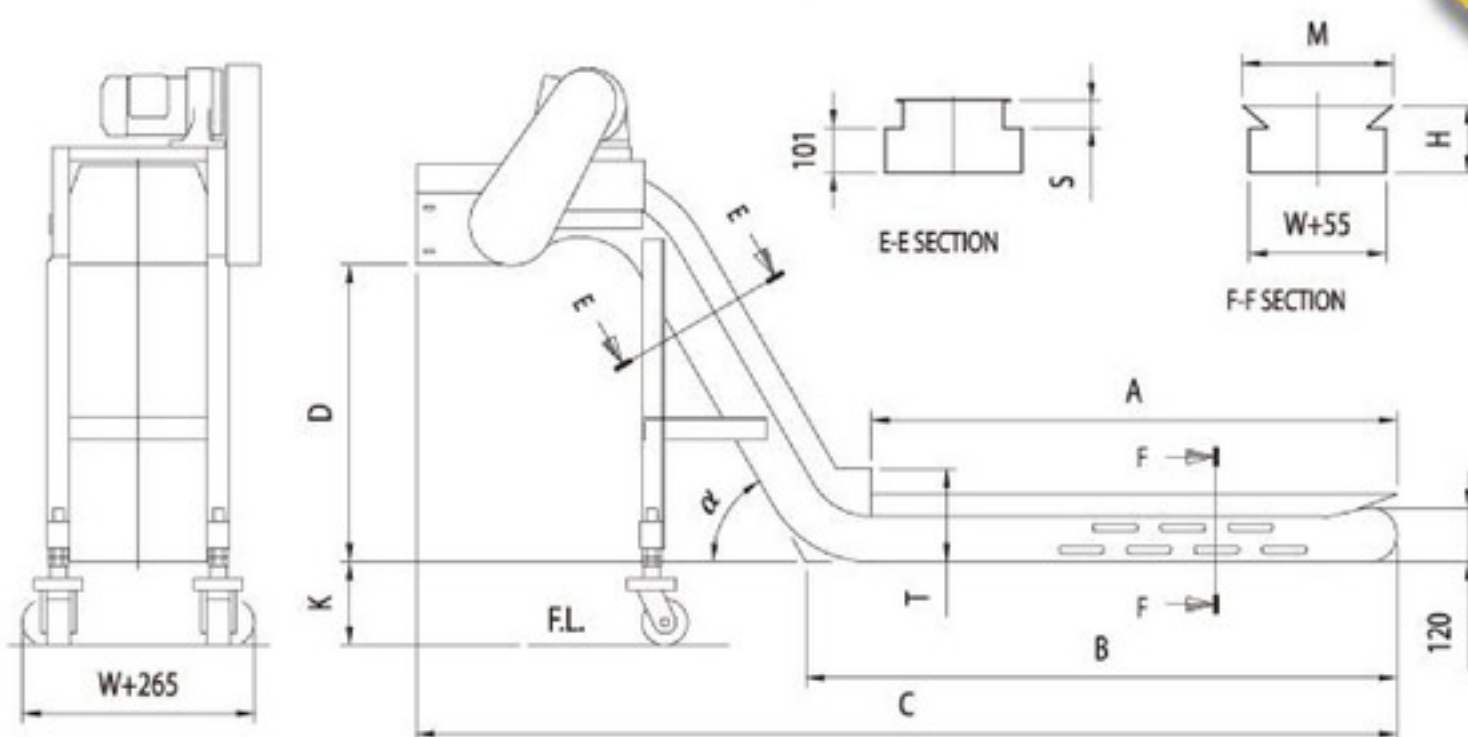
FCA-2050

Steelbelt Chip Conveyor/Standard Model

Belt pitch 31.75mm, for general machine tools chip removal, such as CNC Lathes, or Machining Centers.

Features:

- With dimply steel belt design, it can prevent sticking of tiny chips efficiently and promote ability of removing chips. Also, the steel belt is durable accordingly.
- The Steel Belt Chip Conveyor is made with high tension.
- CE approved.
- This model can be matched with various Machine Tools, Machining Centers, Drills, Planer Type Milling Machines and Dedicated Machines.



Option:

W = 100.150.200.250.300.
350.400.450.500.550.
600.650.700.750.800 (mm)
 $\alpha = 0^\circ 15^\circ 30^\circ 45^\circ 60^\circ$
Pitch = 31.75 (mm)
Frame = 3 (mm)

Model No.	Pitch =	A	B	C	D	K	T	α	H	W	M	S	HP	Max. Removal Load (kg/hr)	Max. Flow Rate (l/min)
FCA-2050	31.75(mm)												60		

FCA-2080

Steelbelt Chip Conveyor/Standard Model

Belt pitch 50.8mm, for general machine tools chip removal, such as CNC lathes, or Machining Centers.

Model No.	Pitch=	A	B	C	D	K	T	α	H	W	M	S	HP	Max. Removal Load (kg/hr)	Max. Flow Rate (l/min)
FCA-2080	50.8 (mm)												75		

Option:

W = 180.240.300.360.420.

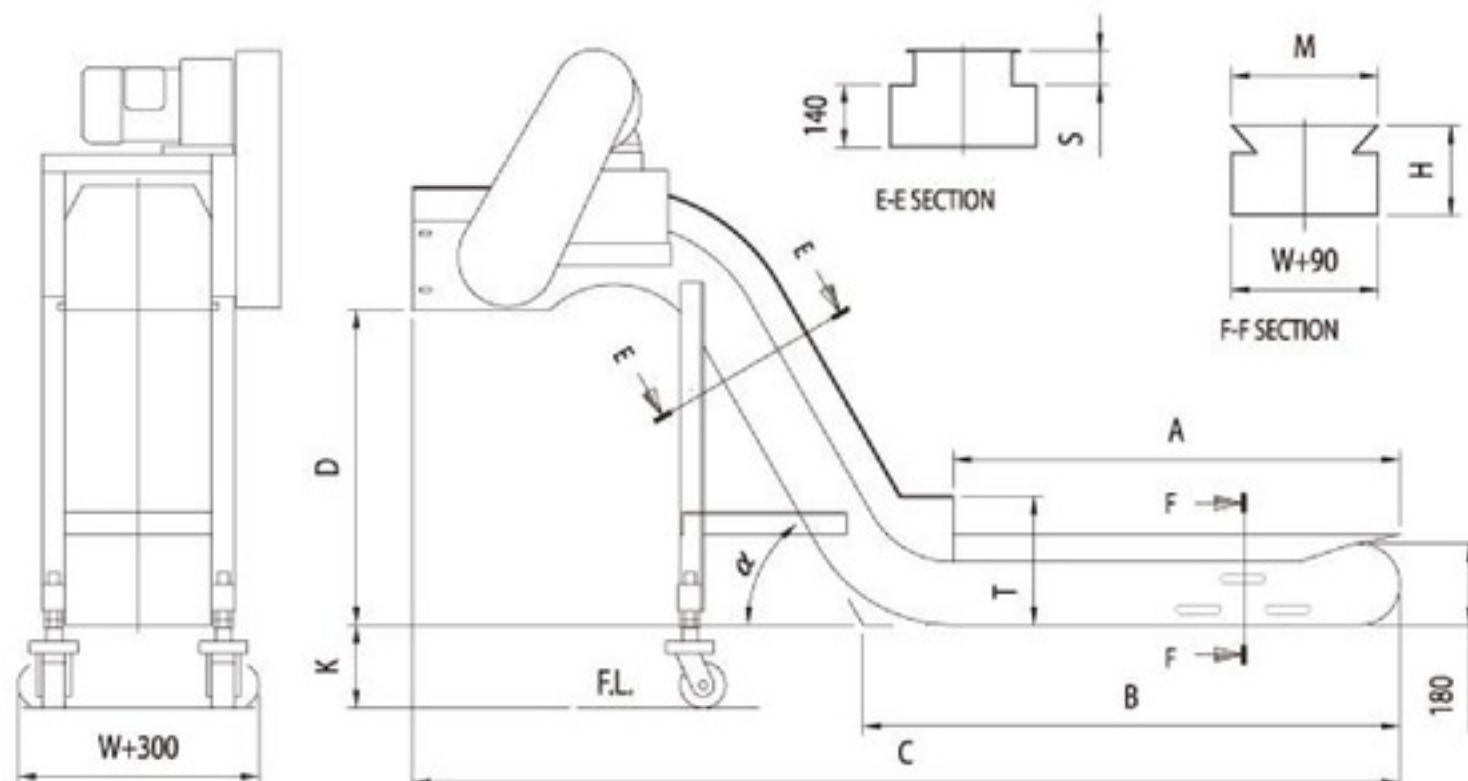
480.540.600.720.780.

1020.1200.1560 (mm)

$\alpha = 0^\circ 15^\circ 30^\circ 45^\circ 60^\circ$

Pitch = 50.8 (mm)

Frame = 3 (mm)



Features:

- With dimply steel belt design, it can prevent sticking of tiny chips efficiently and promote ability of removing chips. Also, the steel belt is durable accordingly.
- The Steel Belt Type Chip Conveyor is made with high tension.
- CE approved.
- This model can be matched with large Conventional Machine Tools, CNC Machine Tools, middle / small Press and Laser Cutting Machines.
- Suitable for Laser Cutting Machines.

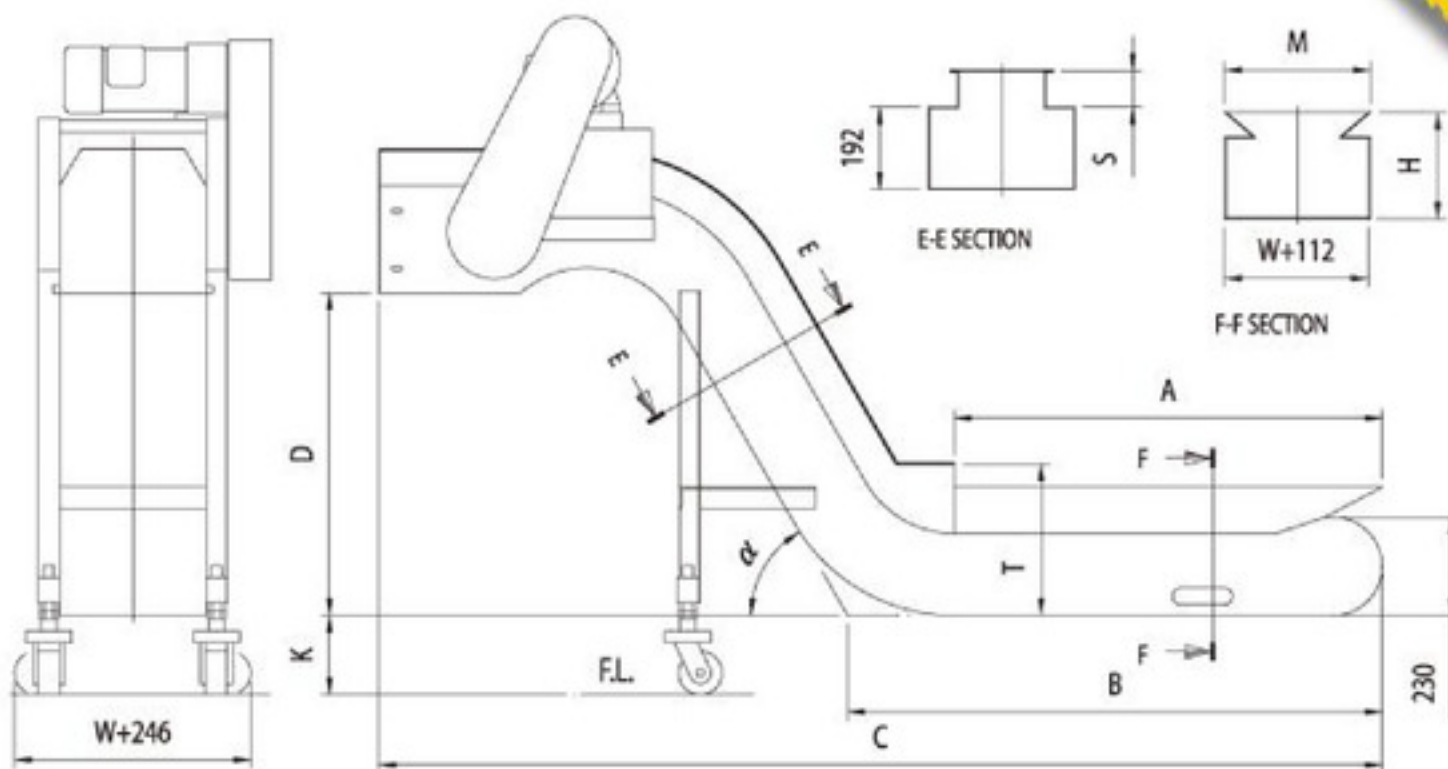
FCA-2100

Steelbelt Chip Conveyor/Standard Model

Belt pitch 63.5mm, for general machine tools chip removal, such as CNC Lathes, or Machining Centers.

Features:

- With dimply steel belt design, it can prevent sticking of tiny chips efficiently and promote ability of removing chips. Also, the steel is durable accordingly.
- The Steel Belt Chip Conveyor is made with high tension.
- CE approved.
- This model can be matched with various Extrusion Presses, Forging Presses, Punching Presses and production lines for automotives, wheel rims and Turnkey Processes.



Option:
 W = 152.230.306.382.460.
 612.687.763.916 (mm)
 $\alpha = 0^\circ 15^\circ 30^\circ 45^\circ 60^\circ$
 Pitch = 63.5 (mm)
 Frame = 3 (mm)

Model No.	Pitch=	A	B	C	D	K	T	α	H	W	M	S	HP	Max. Removal Load (kg/hr)	Max. Flow Rate (l/min)
FCA-2100	63.5 (mm)												85		

FCA-2080L

Steelbelt Chip Conveyor/Standard Model

Belt pitch 50.8mm, for the widest workpieces, such as workpieces for Laser Cutting.

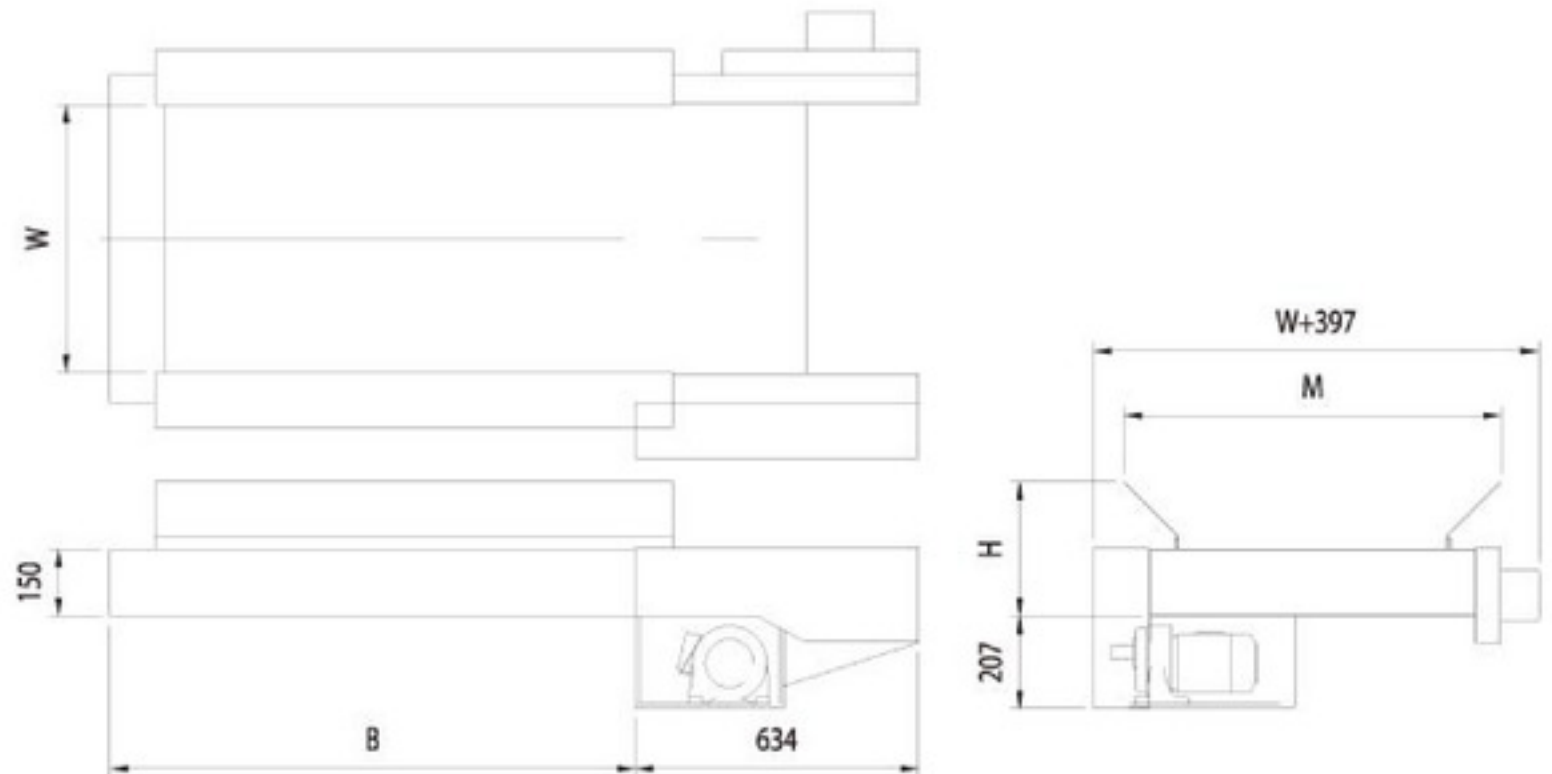
Model No.	Pitch=	B	W	H	M	HP	Max. Removal Load (kg/hr)
FCA-2080L	50.8 (mm)						

Option:

W = 600.720.780.1020.

1200.1560 (mm)

Pitch = 50.8 (mm)



Features:

- The Steel Belt Type Chip Conveyor is made with high tension.
- CE approved.
- This model has highly rigid structure, and its large width can be applied to remove large-scale chips. Suitable for Flame Cutting Machines, Laser Cutting Machines.

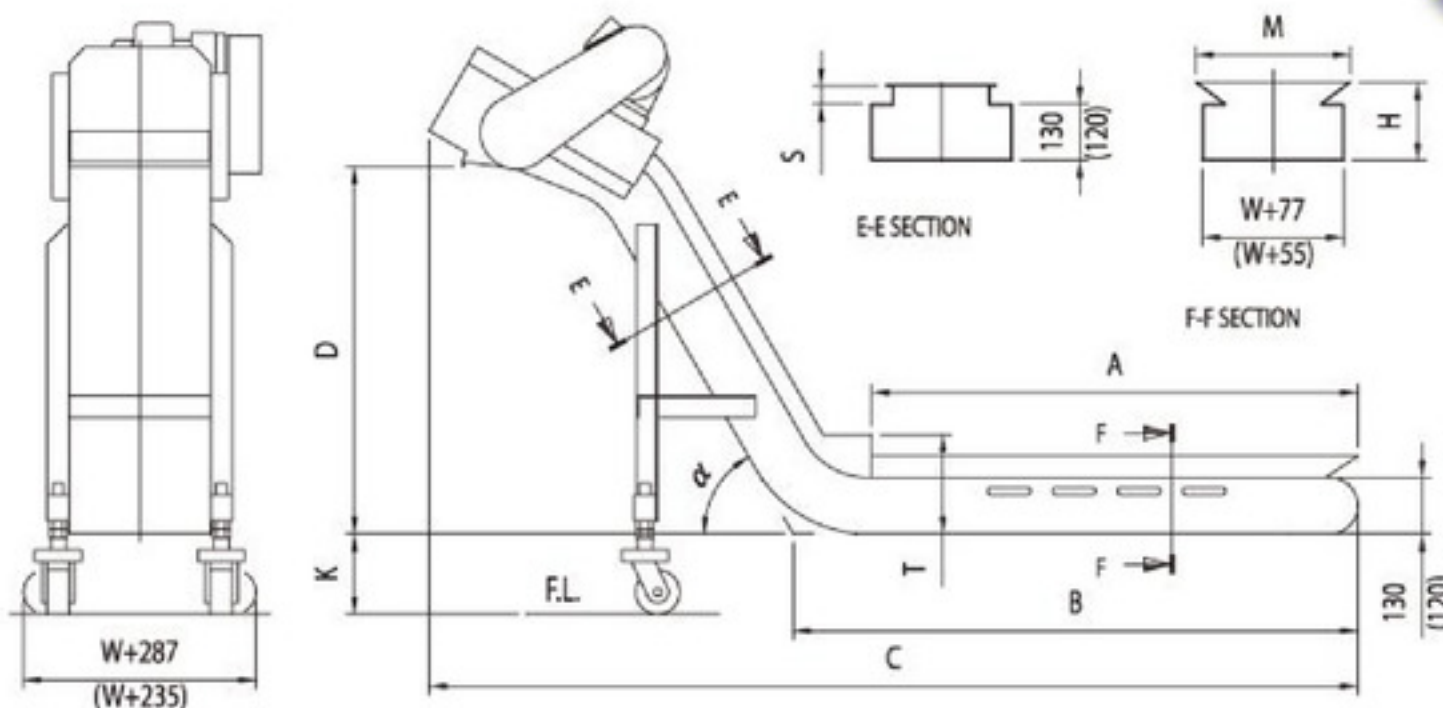
FCB-2060 (2050)

Scraper Type Chip Conveyor/Standard Model

Scraper Type for powder or very small chips, such as copper or cast iron chips.

Features:

- With dimply steel belt design, it can prevent sticking of tiny chips effectively and promote ability of removing chips.
- The Steel Belt Type Conveyor is made with high tension.
- CE approved.
- This model applies to non-scrolled type chips, such as iron, casting iron chips, copper chips, powder and aluminum chips.
- This model can be matched with various Machine Tools, Machining Centers, Drills, Planer Type Milling Machines.
- Also suitable for Gear Making Machines and Dedicated Machines.



Option:

W = 100.150.200.250.300.
350.400.450.500.550.
600.650.700.750.800 (mm)
 $\alpha = 30^\circ 45^\circ 60^\circ$
Pitch = 38.1 (31.75) (mm)
Frame = 3 (mm)

Model No.	Pitch =	A	B	C	D	K	T	α	H	W	M	S	HP	Max. Removal Load (kg/hr)	Max. Flow Rate (l/min)
FCB-2050	31.75 (mm)											42			
FCB-2060	38.1 (mm)											42			

FCB-2060A (2050A)

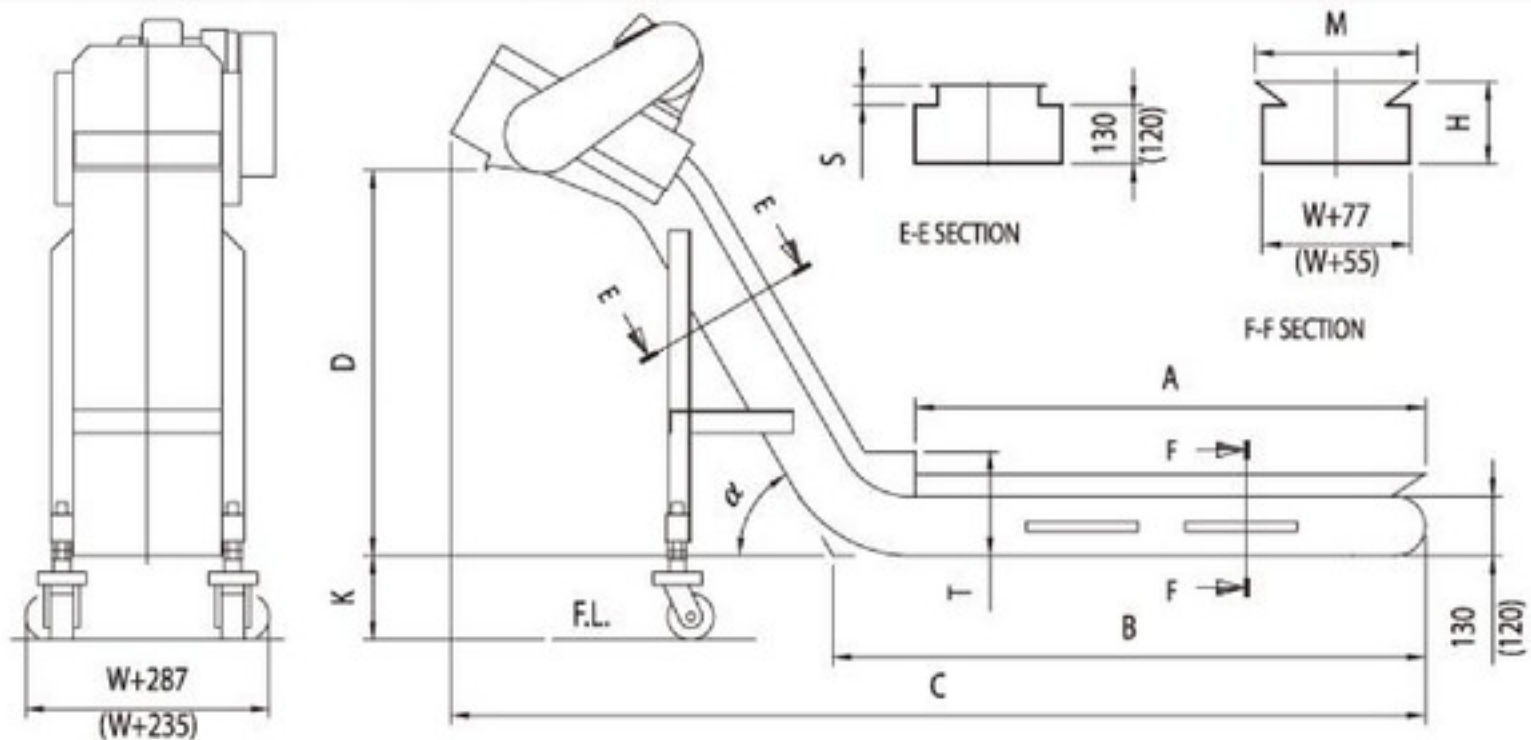
Scraper Type Chip Conveyor/Precision Model

Precision Scraper Type for powder or very small chips such as copper or cast iron.

Model No.	Pitch=	A	B	C	D	K	T	α	H	W	M	S	HP	Max. Removal Load (kg/hr)	Max. Flow Rate (l/min)
FCB-2050A	31.75 (mm)												42		
FCB-2060A	38.1 (mm)												42		

Option:

W = 100.150.200.250.300.
350.400.450.500.550.
600.650.700.750.800 (mm)
 $\alpha = 30^\circ 45^\circ 60^\circ$
Pitch = 38.1(31.75) (mm)
Frame = 3 (mm)



Features:

- With dimply steel belt design, it can prevent sticking of tiny chips efficiently and promote ability of removing chips.
- The Steel Belt Chip Conveyor is made with high tension.
- CE approved.
- This model applies to non-scrolled type chips, such as iron, casting iron chips, copper chips, powder and aluminum chips.
- This model can be matched with various Machine Tools, Machining Centers, Drills, Planer Type Milling Machines.
- Suitable to convey tiny dry chips.
- Also suitable for Gear Making Machines and Dedicated Machines.

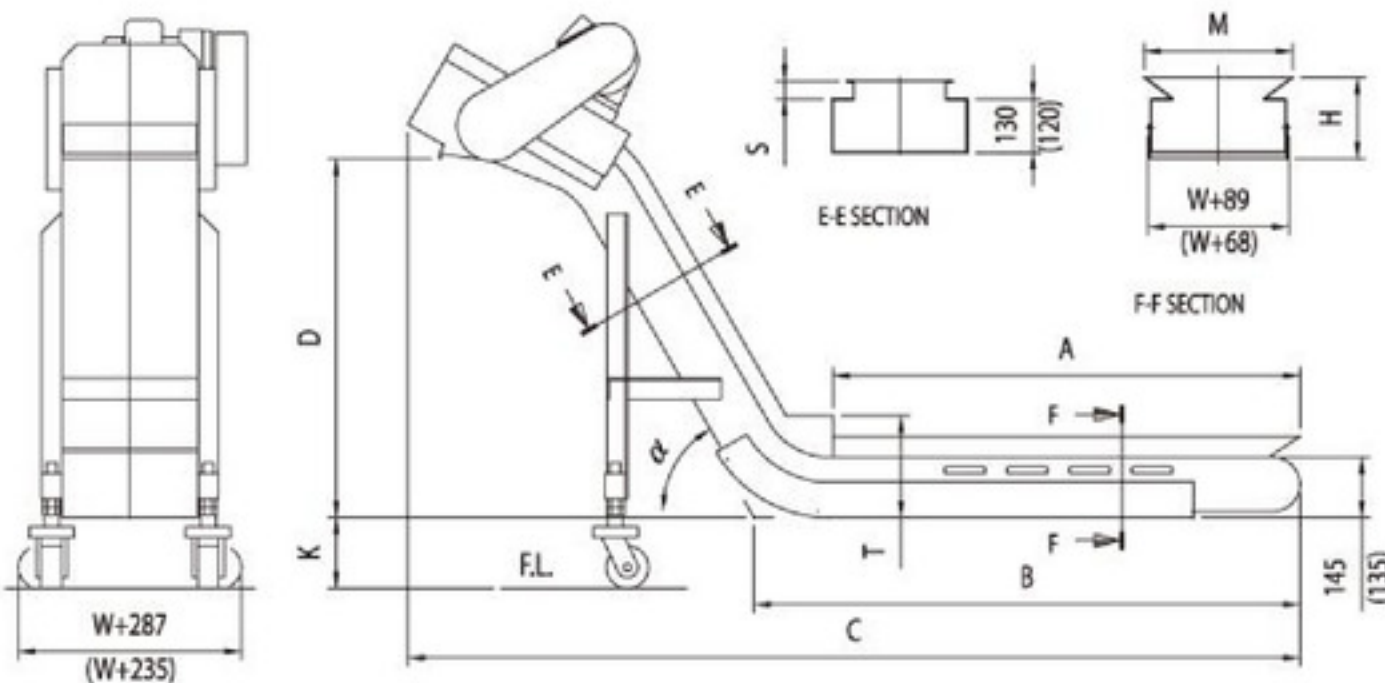
FCB-2060B (2050B)

Scraper Type Chip Conveyor/Magnetic Model

Magnetic Scraper Type for powder or very small chips such as iron or cast iron.

Features:

- With dimply steel belt design, it can prevent sticking of tiny chips efficiently and promote ability of removing chips.
- The Steel belt Type Chip Conveyor is made with high tension.
- CE approved.
- This model applies to non-scrolled metallic and casting iron types of chips.
- This model can be matched with various Machine Tools, Machining Centers, Drills, Planer Type Milling Machines.
- Also suitable for Gear Making Machines and Dedicated Machines.



Option:

W = 100.150.200.250.300.
350.400.450.500.550.
600.650.700.750.800 (mm)
 $\alpha = 30^\circ 45^\circ 60^\circ$
Pitch = 38.1(31.75) (mm)
Frame = 3 (mm)

Model No.	Pitch=	A	B	C	D	K	T	α	H	W	M	S	HP	Max. Removal Load (kg/hr)	Max. Flow Rate (l/min)
FCB-2050B	31.75 (mm)												42		
FCB-2060B	38.1 (mm)												42		

FCB-2060C (2050C)

Scraper Type Chip Conveyor/Precision Magnetic Model

Precision Magnetic Scraper Type for powder or very small chips such as iron or cast iron.

Model No.	Pitch=	A	B	C	D	K	T	α	H	W	M	S	HP	Max. Removal Load (kg/hr)	Max. Flow Rate (l/min)
FCB-2050C	31.75 (mm)												42		
FCB-2060C	38.1 (mm)												42		

Option:

W = 100.150.200.250.300.

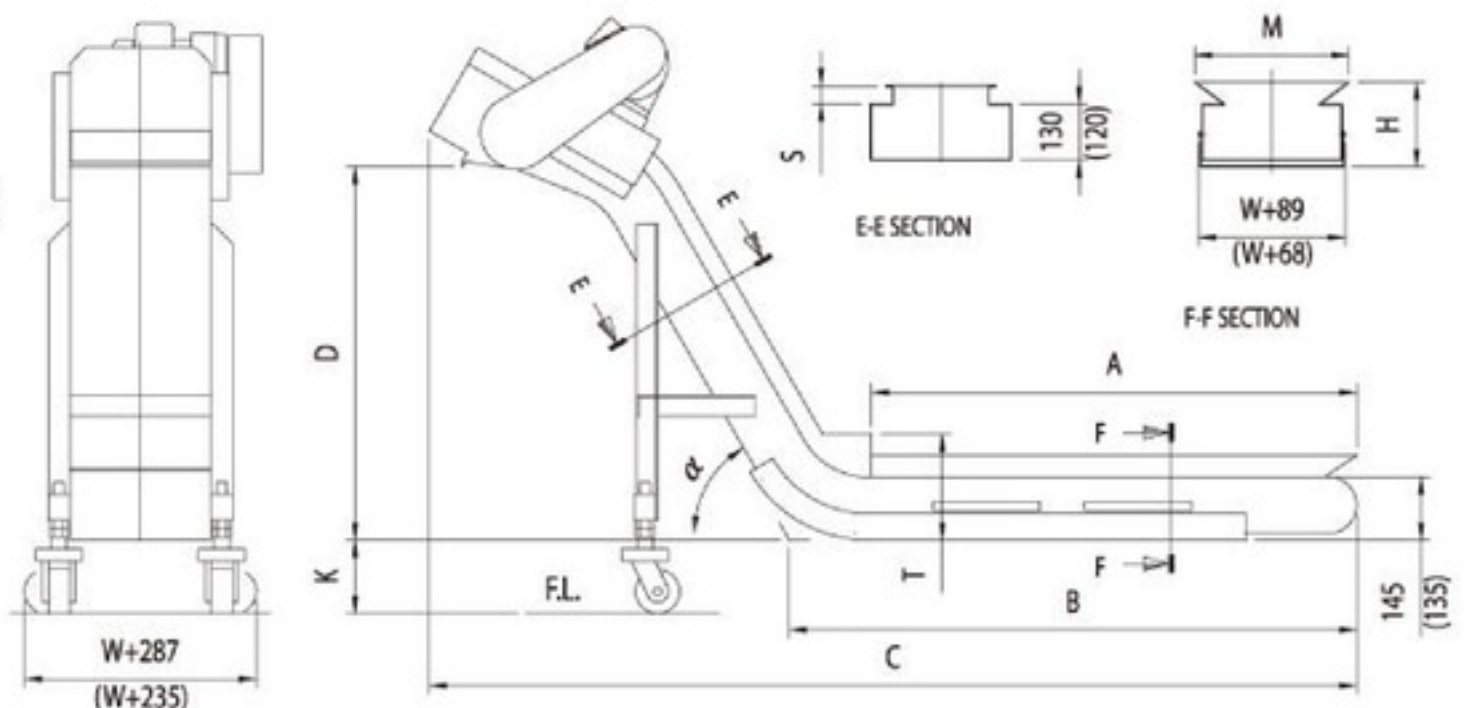
350.400.450.500.550.

600.650.700.750.800 (mm)

$\alpha = 30^\circ 45^\circ 60^\circ$

Pitch = 38.1(31.75) (mm)

Frame = 3 (mm)



Features:

- With dimply steel belt design, it can prevent sticking of tiny chips efficiently and promote ability of removing chips.
- The Steel Belt Chip Conveyor is made with high tension.
- CE approved.
- This model applies to non-scrolled metallic and casting iron types of chips.
- This model can be matched with various Machine Tools, Machining Centers, Drills, Planer Type Milling Machines.
- Suitable to convey tiny dry chips.
- Also suitable for Gear Making Machines and Dedicated Machines.

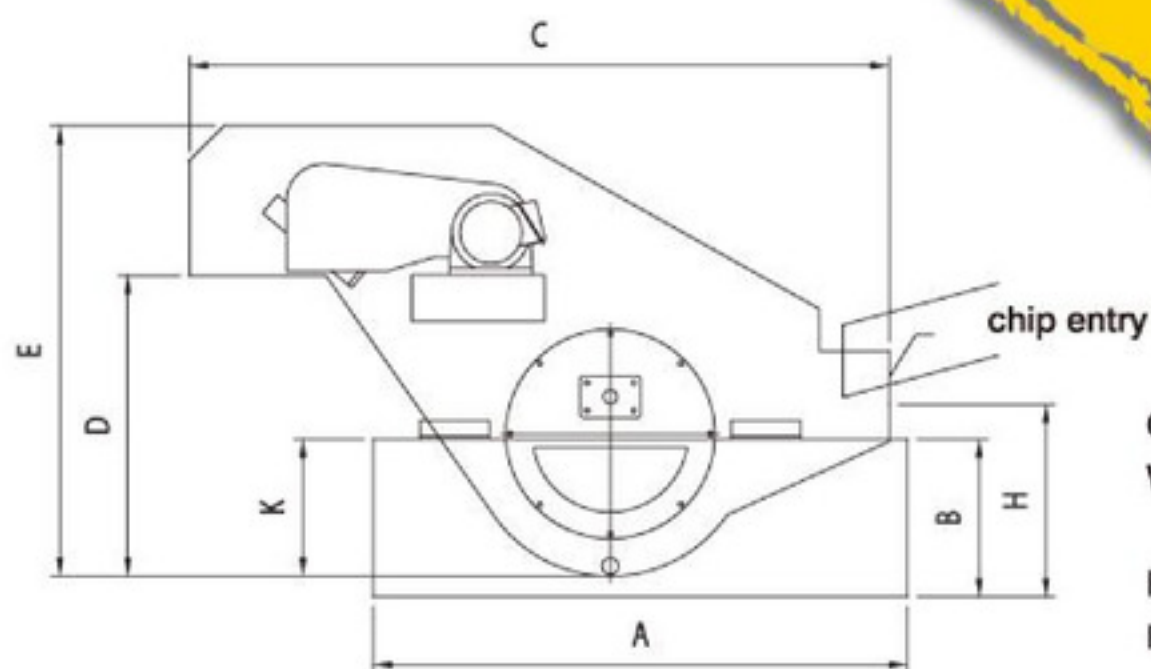
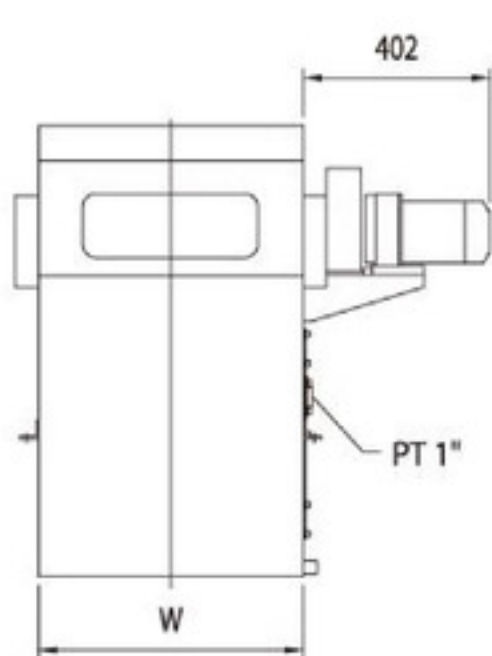
FCD-2060

Roller Type Tiny Chip Conveyor/Internal Model

Roller Type Tiny Chip Conveyor for general machine tools chip removal, such as CNC Lathes or Machining Centers.

Features:

- Suitable to convey tiny chips and with cutting coolant, such as light aluminum chips, light metallic chips, titan alloy chips, magnesium chips and powder chips.
- The filter precision is $150\mu\text{m}$, without blockaded condition.
- Equipped with automatic cleaning device.
- CE approved.
- This model can be matched with Conventional Machine Tools, CNC Machining Centers, Dedicated Machines.



Option:
 W = 400.500.570.
 1000 (mm)
 Pitch = 38.1 (mm)
 Frame = 4 (mm)

Model No.	Pitch=	A	B	C	D	E	K	H	W	HP	Max. Removal Load (kg/hr)	Max. Flow Rate (l/min)
FCD-2060	38.1 (mm)							350				

FCD-2060A

Roller Type Tiny Chip Conveyor/External Model

Chain pitch 38.1mm, for general machine tools chip removal, such as CNC Lathes or Machining Centers.

Model No.	Pitch=	A	B	C	D	E	K	H	W	HP	Max. Removal Load (kg/hr)	Max. Flow Rate (l/min)
FCD-2060A	38.1 (mm)							350				

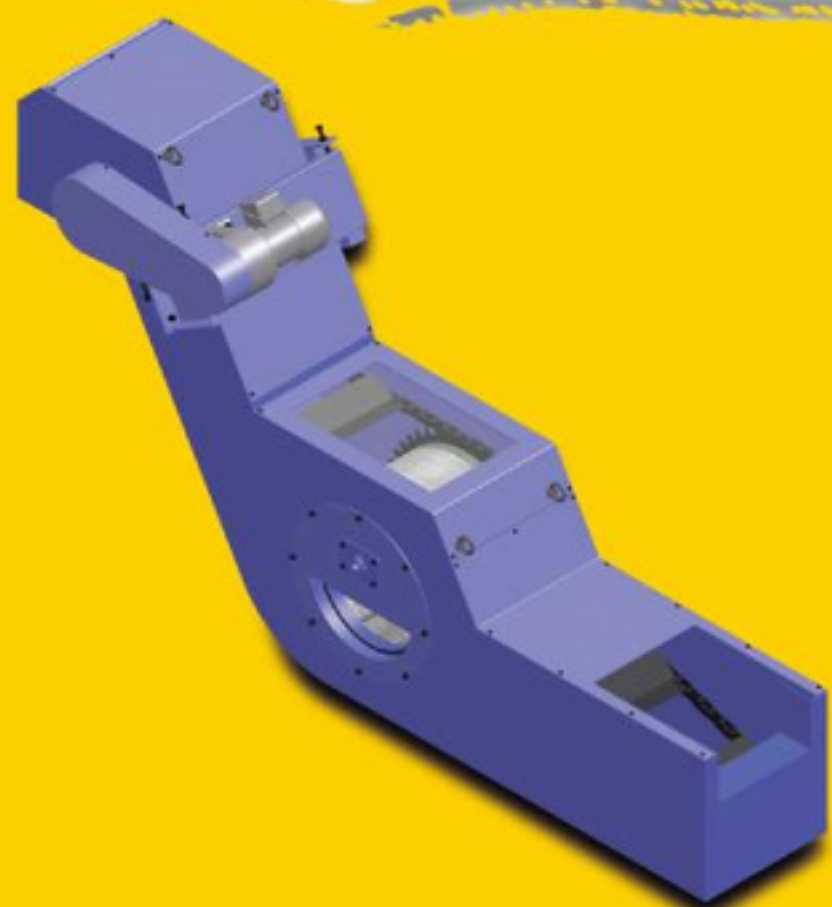
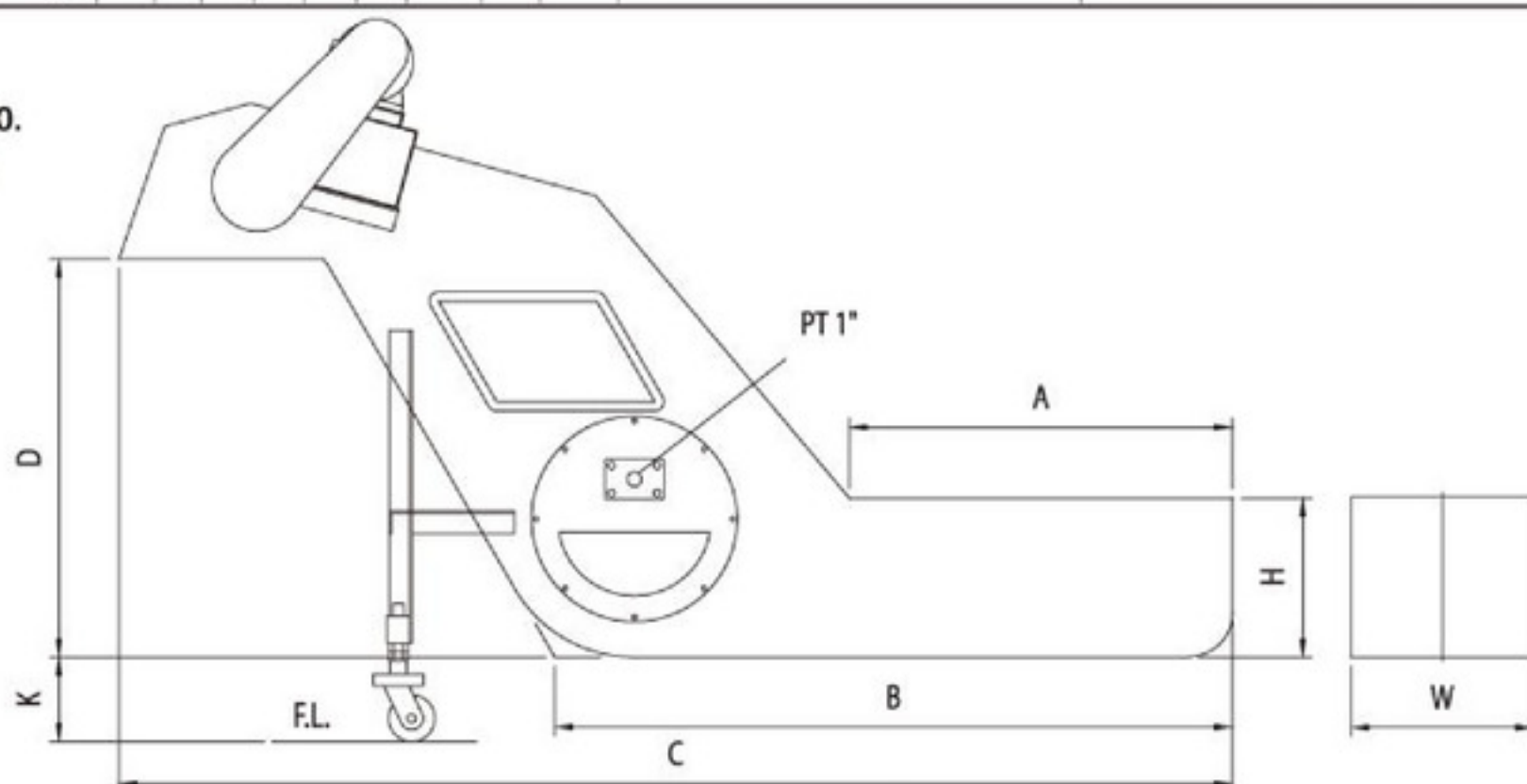
Option:

W = 400.450.500.570.700.

800.900.1000 (mm)

Pitch = 38.1 (mm)

Frame = 3 (mm)



Features:

- This model can be installed on the coolant tank directly. Suitable to convey tiny chips and with cutting coolant, such as light aluminum chips, light metallic chips, titanic alloy chips, magnesium chips and powder chips. Equipped with automatic cleaning device.
- CE approved.

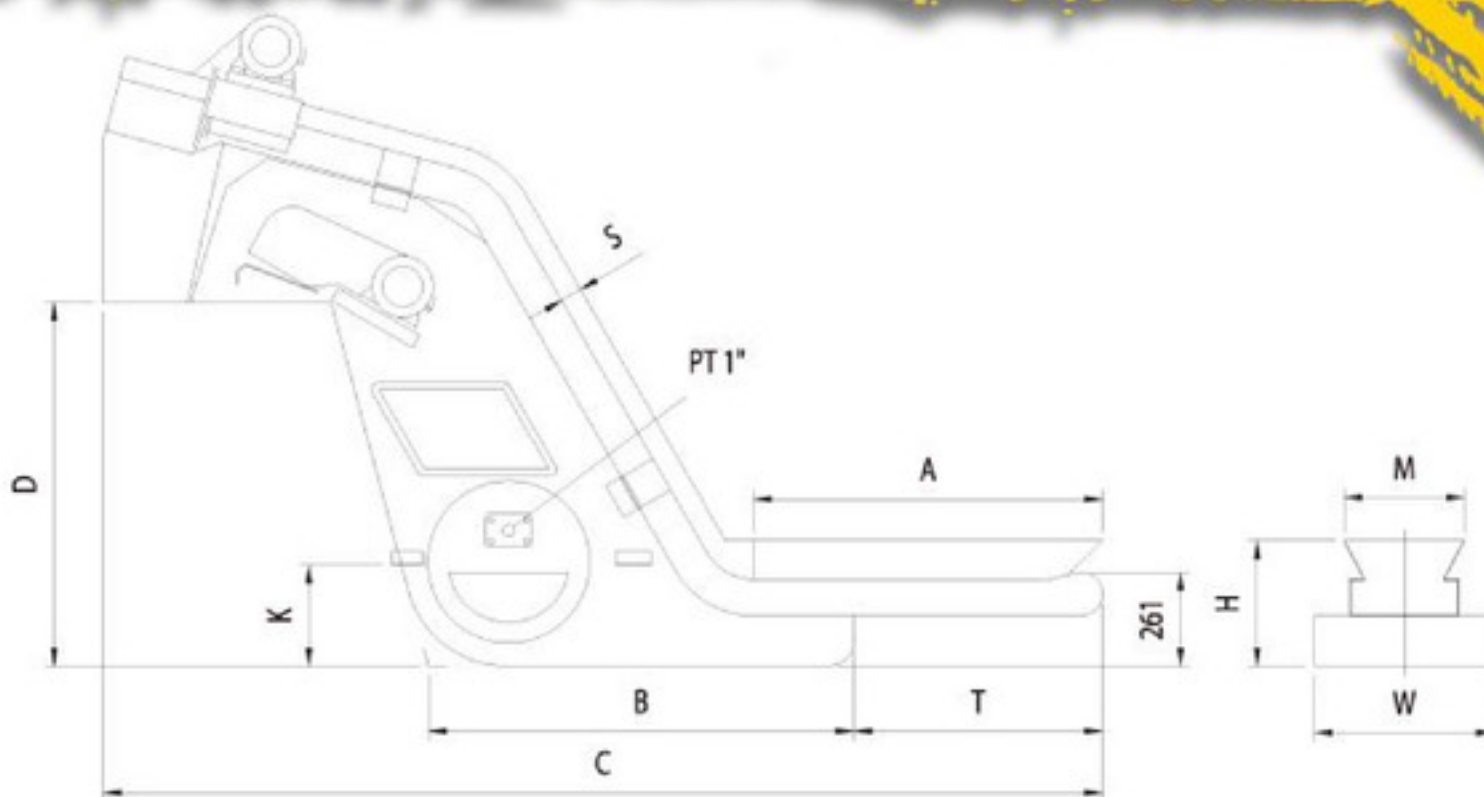
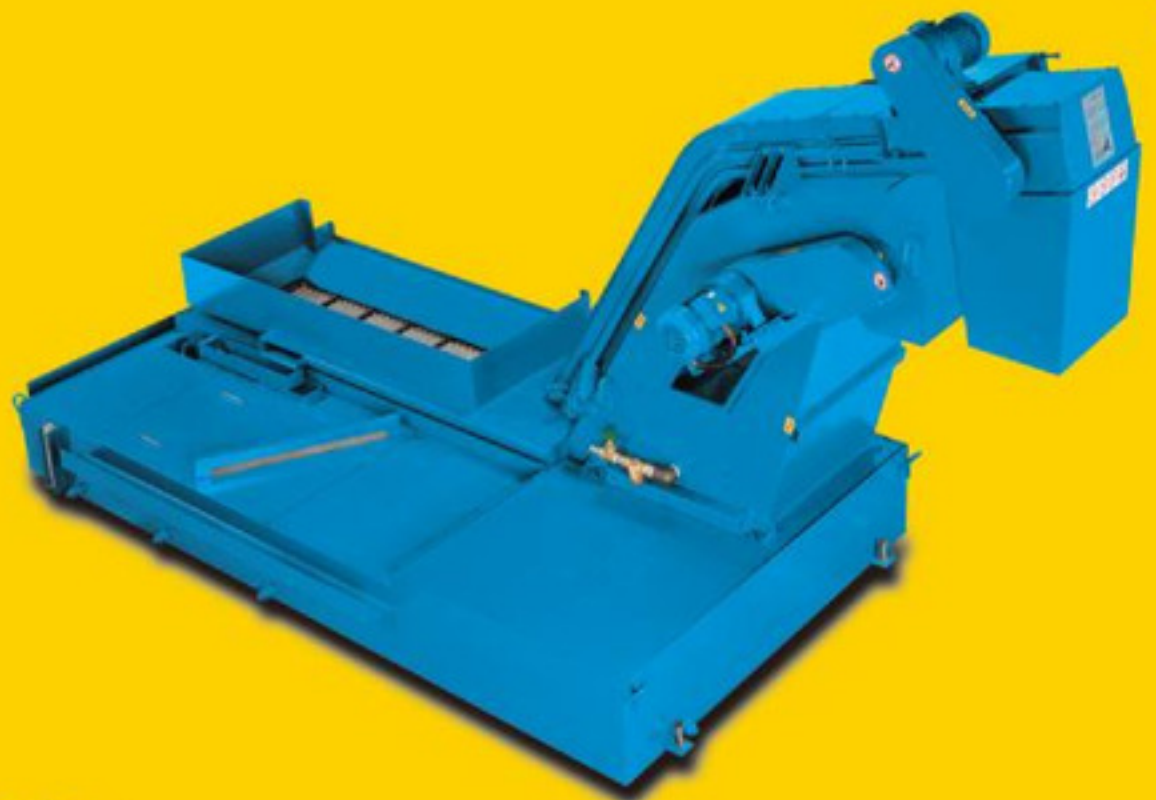
FCE-2000

Dual Belt Type Chip Conveyor

For compound process and a wide variety of iron chips.

Features:

- Suitable for compound process, and with excellent chip removal effect and high filter precision.
- This model applies to work with long and short mixed chips.
- With filter system to process lots of coolant, the filter's precision is $150\mu\text{m}$
- This model can be matched with various Machine Tools, Machining Centers, Drills, Processing Machines and Dedicated Machines.



Option:
 W = 400.500.570.600.800.
 900.1000 (mm)
 Pitch = 38.1 (mm)
 Frame = 3 (mm)

Model No.	Pitch =	A	B	C	D	K	T	H	W	M	S	HP	Max. Removal Load (kg/hr)	Max. Flow Rate (l/min)
FCE-2000	31.75 (mm) 38.1 (mm)							350			60			

FCF-2050

Magnetic Conveyor

Belt pitch 31.75mm, for chip removal on Presses and Screw Making Machines.

Model No.	Pitch=	A	B	C	D	K	α	H	W	M	HP	Max. Removal Load (kg/hr)
FCF-2050	31.75(mm)											

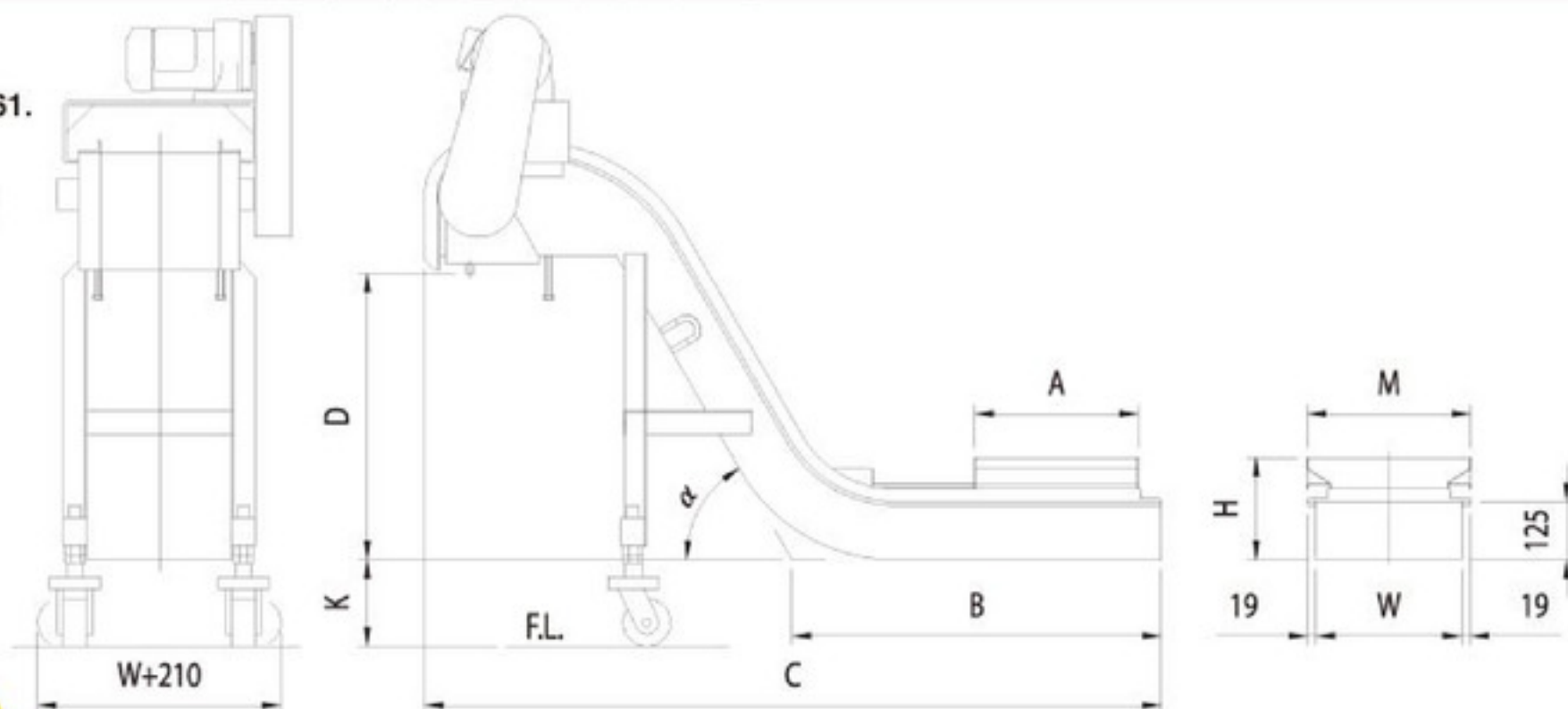
Option:

W = 205.225.311.361.

417 (mm)

Pitch = 31.75 (mm)

Frame = 3 (mm)



Features:

- Suitable to convey iron pieces, silicon steel pieces and screw parts.
- Using magnetic principle, it magnetizes the piece first, then proceeds to transport. This model can be matched with Press and Screw transportation.